

45 Type Analog Meter

Certificates  



Model No

KA□-45 Type

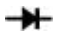


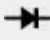







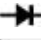



①

① Type

- | | |
|-----------------------|--------------------------|
| A AC Ammeter | D DC Voltmeter |
| B AC Voltmeter | E Signal meter |
| C DC Ammeter | F Frequency meter |

How to order) KAB-45 AC 150V

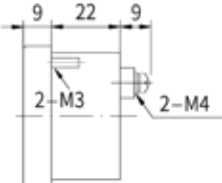
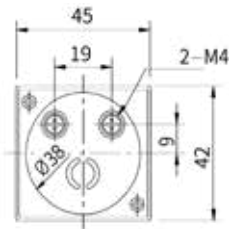
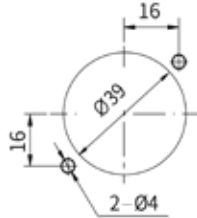
Technical Data

Type	Model No	Operation	Class	Max input	Min input	Note
AC Ammeter	KAA-45	  	2.5	5A	1A	①
AC Voltmeter	KAB-45	 	2.5	600V	10V	②
DC Ammeter	KAC-45	 or  	2.5	5A, 200mV	150μA, 50mV	③
DC Voltmeter	KAD-45		2.5	600V	1V	④
Signal meter	KAE-45	 or  	2.5	DC 4~20mA, DC 10V, AC 18V		⑤
Frequency meter	KAF-45	  	1.0	55~65Hz external converter		⑥

- ① Standard : 5A Input, or use CT or TD.
- ② Standard : 150V, 300V, 600V Input or use PT.
- ③ Standard : 50mV ,60mV input.
- ④ Standard : 15V, 30V, 50V, 100V, or 600V input, or use voltage divider.
- ⑤ Bezel design to be customized.
- ⑥ Standard: 110V, 220V (50/60Hz) input.

Drawing

Unit:mm

Type	Side	Rear	Panel cut	weight
Bolt fixed				40g

50 Type Analog Meter

Certificates 



Model No

KA-50 Type


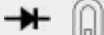



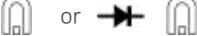
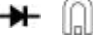


①

① Type

- | | |
|-----------------------|--------------------------|
| A AC Ammeter | D DC Voltmeter |
| B AC Voltmeter | E Signal meter |
| C DC Ammeter | F Frequency meter |

How to order) KAB-50 AC 150V

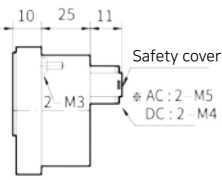
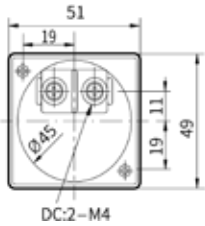
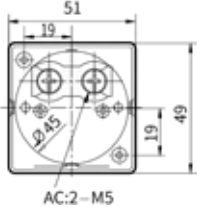
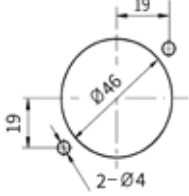
Technical Data

Type	Model No	Operation	Class	Max input	Min input	Note
AC Ammeter	KAA-50		2.5	5A	0.1A	①
AC Voltmeter	KAB-50		2.5	600V	10V	②
DC Ammeter	KAC-50	 or 	2.5	5A, 200mV	150μA, 50mV	③
DC Voltmeter	KAD-50		2.5	600V	1V	④
Signal meter	KAE-50	 or 	2.5	DC 4 ~ 20mA or DC 10V or AC 18V		⑤
Frequency meter	KAF-50	 or 	1.0	55 ~ 65Hz external converter, 45 ~ 65Hz internal converter		⑥

- ①. Standard : 5A Input, or use CT
- ②. Standard : 150V, 300V, 600V Input or use PT.
- ③. Standard : 50mV ,60mV input.
- ④. Standard : 15V, 30V, 50V, 100V, or 600V input, or use voltage divider.
- ⑤. Bezel design to be customized.
- ⑥. Standard: 110V, 220V (50/60Hz) input .

Drawing

Unit:mm

Type	Side	Rear		Panel cut	weight
		KAB/KAC/KAD/KAE/KAF	KAA		
Bolt fixed					60g

60 Type Analog Meter

Certificates 



Model No

KA-60 Type


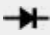




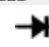


①

① Type

- A AC Ammeter
- B AC Voltmeter
- C DC Ammeter
- D DC Voltmeter
- E Signal meter
- F Frequency meter

How to order) KAB-60 AC 600V

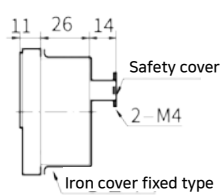
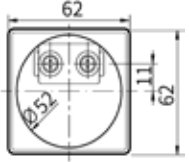

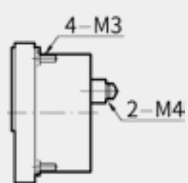
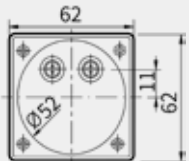
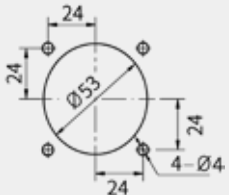
Technical Data

Type	Model No	Operation	Class	Max input	Min input	Note
AC Ammeter	KAA-60		2.5	5A	0.1A	①
AC Voltmeter	KAB-60		2.5	600V	10V	②
DC Ammeter	KAC-60	 or 	2.5	5A, 200mV	150μA, 50mV	③
DC Voltmeter	KAD-60		2.5	600V	1V	④
Signal meter	KAE-60	 or 	2.5	DC 4 ~ 20mA or DC 10V or AC 18V		⑤
Frequency meter	KAF-60	 or 	1.0	55 ~ 65Hz external converter, 45 ~ 65Hz internal converter		⑥

- ①. Standard : 5A Input, or use CT
- ②. Standard : 150V, 300V, 600V Input or use PT.
- ③. Standard : 50mV ,60mV input.
- ④. Standard : 15V, 30V, 50V, 100V, or 600V input, or use voltage divider.
- ⑤. Bezel design to be customized.
- ⑥. Standard: 110V, 220V (50/60Hz) input.

Drawing

Unit:mm

Type	Side	Rear	Panel cut	weight
Iron cover fixed type				80g
Bolt fixed				80g

68 Type Analog Meter

Certificates 



Model No

KA-68 Type


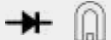



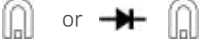



①

① Type

- | | |
|-----------------------|--------------------------|
| A AC Ammeter | D DC Voltmeter |
| B AC Voltmeter | E Signal meter |
| C DC Ammeter | F Frequency meter |

How to order) KAB-68 AC 600V

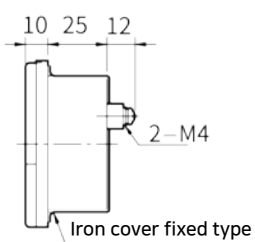
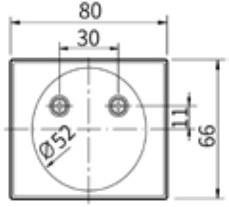
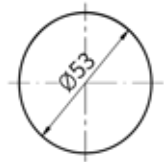
Technical Data

Type	Model No	Operation	Class	Max input	Min input	Note
AC Ammeter	KAA-68		2.5	5A	0.1A	①
AC Voltmeter	KAB-68		2.5	600V	10V	②
DC Ammeter	KAC-68	 or 	2.5	5A, 200mV	150μA, 50mV	③
DC Voltmeter	KAD-68		2.5	600V	1V	④
Signal meter	KAE-68	 or 	2.5	DC 4 ~ 20mA or DC 10V or AC 18V		⑤
Frequency meter	KAF-68	 or 	1.0	55 ~ 65Hz external converter, 45 ~ 65Hz internal converter		⑥

- ①. Standard : 5A Input, or use CT
- ②. Standard : 150V, 300V, 600V Input or use PT.
- ③. Standard : 50mV ,60mV input.
- ④. Standard : 15V, 30V, 50V, 100V, or 600V input, or use voltage divider.
- ⑤. Bezel design to be customized.
- ⑥. Standard: 110V, 220V (50/60Hz) input

Drawing

Unit:mm

Type	Side	Rear	Panel cut	Weight
Iron cover fixed type				130g

72 Type Analog Meter

Certificates 



Model No

KA-72 Type






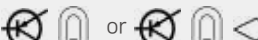
①

① Type

- | | |
|-----------------------|--------------------------|
| A AC Ammeter | D DC Voltmeter |
| B AC Voltmeter | E Signal meter |
| C DC Ammeter | F Frequency meter |

How to order) KAC-72 DC 100A/50mV

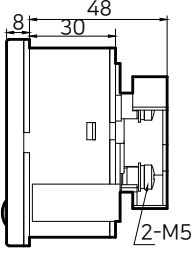
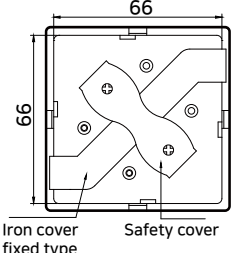
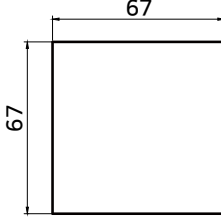
Technical Data

Type	Model No	Operation	Class	Max input	Min input	Note
AC Ammeter	KAA-72		2.5	5A	0.1A	①
AC Voltmeter	KAB-72		2.5	600V	10V	②
DC Ammeter	KAC-72		2.5	5A, 200mV	150μA, 50mV	③
DC Voltmeter	KAD-72		2.5	600V	1V	④
Signal meter	KAE-72		2.5	DC 4 ~ 20mA or DC 10V or AC 18V		⑤
Frequency meter	KAF-72		1.0	55 ~ 65Hz external converter, 45 ~ 65Hz internal converter		⑥

- ① Standard : 5A Input, or use CT
- ② Standard : 150V, 300V, 600V Input or use PT.
- ③ Standard : 50mV ,60mV input.
- ④ Standard : 15V, 30V, 50V, 100V, or 600V input, or use voltage divider.
- ⑤ Bezel design to be customized.
- ⑥ Standard: 110V, 220V (50/60Hz) input

Drawing

Unit:mm

Type	Side	Rear	Panel cut	Weight
Iron cover fixed type				130g

80 Type Analog Meter

Certificates 



Model No

KA-80 Type










①

① Type

- | | |
|-----------------------|--------------------------|
| A AC Ammeter | D DC Voltmeter |
| B AC Voltmeter | E Signal meter |
| C DC Ammeter | F Frequency meter |

How to order) KAC-80 DC 100A/50mV

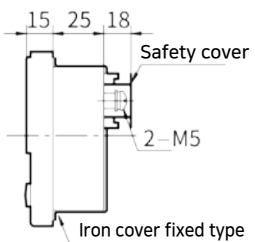
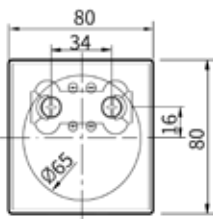
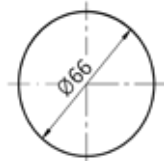
Technical Data

Type	Model No	Operation	Class	Max input	Min input	Note
AC Ammeter	KAA-80		2.5	5A	0.1A	①
AC Voltmeter	KAB-80		2.5	600V	10V	②
DC Ammeter	KAC-80	 or 	2.5	5A, 200mV	150μA, 50mV	③
DC Voltmeter	KAD-80		2.5	600V	1V	④
Signal meter	KAE-80	 or 	2.5	DC 4 ~ 20mA or DC 10V or AC 18V		⑤
Frequency meter	KAF-80	 or 	1.0	55 ~ 65Hz external converter, 45 ~ 65Hz internal converter		⑥

- ① Standard : 5A Input, or use CT
- ② Standard : 150V, 300V, 600V Input or use PT.
- ③ Standard : 50mV ,60mV input.
- ④ Standard : 15V, 30V, 50V, 100V, or 600V input, or use voltage divider.
- ⑤ Bezel design to be customized.
- ⑥ Standard: 110V, 220V (50/60Hz) input

Drawing

Unit:mm

Type	Side	Rear	Panel cut	Weight
Iron cover fixed type				130g

81 Type Analog Meter

Certificates 



Model No


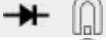



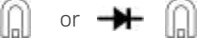
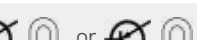

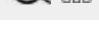

KA-81 Type

① Type

- A** AC Ammeter
- B** AC Voltmeter
- C** DC Ammeter
- D** DC Voltmeter
- E** Signal meter
- F** Frequency meter

How to order) KAC-81 DC 100A/50mV

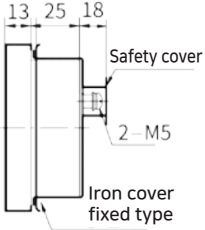
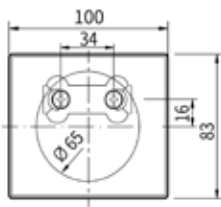
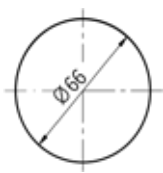
Technical Data

Type	Model No	Operation	Class	Max input	Min input	Note
AC Ammeter	KAA-81		1.5	5A	0.1A	①
AC Voltmeter	KAB-81		1.5	600V	10V	②
DC Ammeter	KAC-81	 or 	1.5	5A, 200mV	150μA, 50mV	③
DC Voltmeter	KAD-81		1.5	600V	1V	④
Signal meter	KAE-81	 or 	1.5	DC 4 ~ 20mA or DC 10V or AC 18V		⑤
Frequency meter	KAF-81	 or  	1.0	55 ~ 65Hz external converter, 45 ~ 65Hz internal converter		⑥

- ①. Standard : 5A Input, or use CT
- ②. Standard : 150V, 300V, 600V Input or use PT.
- ③. Standard : 50mV ,60mV input.
- ④. Standard : 15V, 30V, 50V, 100V, or 600V input, or use voltage divider.
- ⑤. Bezel design to be customized.
- ⑥. Standard: 110V, 220V (50/60Hz) input

Drawing

Unit:mm

Type	Side	Rear	Panel cut	Weight
Iron cover fixed type				140g

08 Type Analog Meter

Certificates 



Model No

KA-08 Type

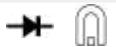
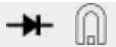


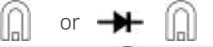

①

① Type

- | | |
|-----------------------|--------------------------|
| A AC Ammeter | D DC Voltmeter |
| B AC Voltmeter | E Signal meter |
| C DC Ammeter | F Frequency meter |

How to order) KAC-08 DC 200 μ A

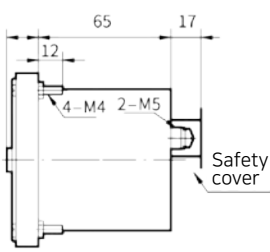
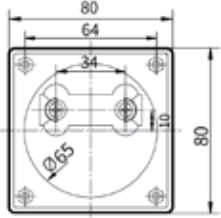
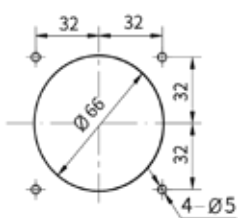
Technical Data

Type	Model No	Operation	Class	Max input	Min input	Note
AC Ammeter	KAA-08		1.5	5A	1A	①
AC Voltmeter	KAB-08		1.5	600V	10V	②
DC Ammeter	KAC-08		1.5	5A, 200mV	150 μ A, 50mV	③
DC Voltmeter	KAD-08		1.5	1000V	1V	④
Signal meter	KAE-08		1.5	DC 4 ~ 20mA or DC 10V or AC 18V		⑤
Frequency meter	KAF-08		1.0	45 ~ 65Hz, 45 ~ 55Hz, 55 ~ 65Hz		⑥

- ①. Standard : 5A Input, or use CT
- ②. Standard : 150V, 300V, 600V Input or use PT.
- ③. Standard : 50mV ,60mV input.
- ④. Standard : 15V, 30V, 50V, 100V, or 600V input, or use voltage divider.
- ⑤. Bezel design to be customized.
- ⑥. Standard: 110V, 220V (50/60Hz) input

Drawing

Unit:mm

Type	Side	Rear	Panel cut	Weight
Bolt fixed				350g

08N Type Analog Meter

Certificates 



Model No

KA□-08N Type

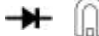
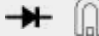


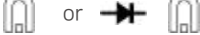

①

① Type

- A AC Ammeter
- B AC Voltmeter
- C DC Ammeter
- D DC Voltmeter
- E Signal meter
- F Frequency meter

How to order) KAC-08N DC 200μA

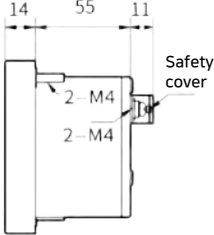
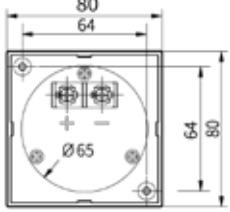

Technical Data

Type	Model No	Operation	Class	Max input	Min input	Note
AC Ammeter	KAA-08N		1.5	5A	1A	①
AC Voltmeter	KAB-08N		1.5	600V	10V	②
DC Ammeter	KAC-08N		1.5	5A, 200mV	150μA, 50mV	③
DC Voltmeter	KAD-08N		1.5	1000V	1V	④
Signal meter	KAE-08N		1.5	DC 4 ~ 20mA or DC 10V or AC 18V		⑤
Frequency meter	KAF-08N		1.0	45 ~ 65Hz, 45 ~ 55Hz 55 ~ 65 Hz (With external converter)		⑥

- ①. Standard : 5A Input, or use CT
- ②. Standard : 150V, 300V, 600V Input or use PT.
- ③. Standard : 50mV ,60mV input.
- ④. Standard : 15V, 30V, 50V, 100V, or 600V input, or use voltage divider.
- ⑤. Bezel design to be customized.
- ⑥. Standard: 110V, 220V (50/60Hz) input

Drawing

Unit:mm

Type	Side	Rear	Panel cut	Weight
Bolt fixed				350g

11 Type Analog Meter

Certificates  



Model No

KA-11 Type

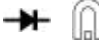
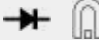


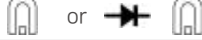

①

① Type

- | | |
|-----------------------|--------------------------|
| A AC Ammeter | D DC Voltmeter |
| B AC Voltmeter | E Signal meter |
| C DC Ammeter | F Frequency meter |

How to order)KAD-11 DC 600V

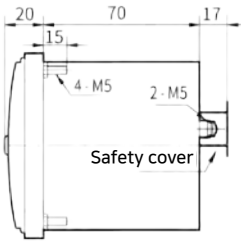
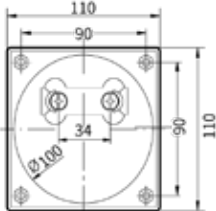
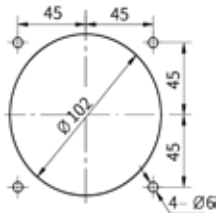
Technical Data

Type	Model No	Operation	Class	Max input	Min input	Note
AC Ammeter	KAA-11		1.5	5A	1A	①
AC Voltmeter	KAB-11		1.5	600V	10V	②
DC Ammeter	KAC-11		1.5	5A, 200mV	150μA, 50mV	③
DC Voltmeter	KAD-11		1.5	1000V	1V	④
Signal meter	KAE-11		1.5	DC 4 ~ 20mA or DC 10V or AC 18V		⑤
Frequency meter	KAF-11		1.0	45 ~ 65Hz, 45 ~ 55Hz, 55 ~ 65Hz		⑥

- ① Standard : 5A Input, or use CT
- ② Standard : 150V, 300V, 600V Input or use PT.
- ③ Standard : 50mV ,60mV input.
- ④ Standard : 15V, 30V, 50V, 100V, or 600V input, or use voltage divider.
- ⑤ Bezel design to be customized.
- ⑥ Standard: 110V, 220V (50/60Hz) input

Drawing

Unit:mm

Type	Side	Rear	Panel cut	Weight
Bolt fixed				450g