



# VOLTAGE & PHASE RELAY

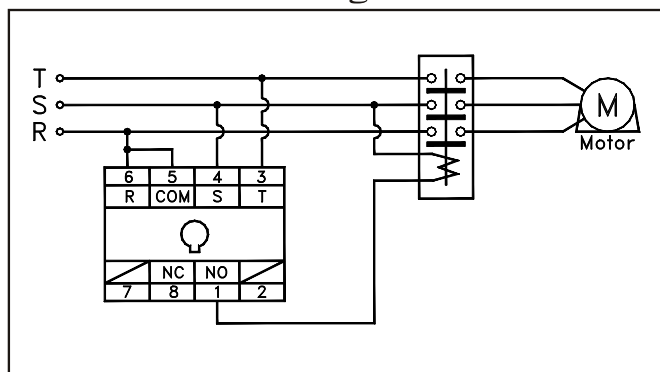
PVR/PR  
series

Product	Phase & Voltage Relay	Phase Relay
Model	PVR - 3 - <input type="text"/> <input type="text"/> <input type="text"/> V	PR - 1 - <input type="text"/> <input type="text"/> <input type="text"/> V
Figure		
Power Supply	230V or 380V or 440VAC or 480VAC, 50/60Hz	
High Voltage Limit	±20%	
Low Voltage Limit	±20%	
ON Delay Time	1.0~10.0 Sec Adjustable	
Reset Delay Time	1.0~10.0 Sec Adjustable	
Output Method	Relay	
Contact Rated	5A/250VAC	
Output Status	Normal ON < RUN >	
Dielectric Strength	2.5KV / 1 min	
Insulation Strength	100MΩ / 500 VDC.	
Life of Relay	20 X 10 <sup>6</sup> Times	
Circumstance	-20°~+60°C ; 35~85% RH	
Weight	155g	140g

## Operating Status ( PVR-3 )

Status \ LED	Norm.	High Voltage	Low Voltage	R/T Loss	S Loss	Phase Rev
Run	○	×	×	×	×	×
Over	×	○	×	×	×	×
Under	×	×	○	×	○	○

## Connection Diagram



## Dimension

