

- ☆High Repetivity : 0.2% of F.S. Max.
- ☆Reset Time : 0.1S Max.
- ☆Setting Accuracy : 5 % of F.S. Max.
- ☆CE Approved : EMC , ESD & LVD
- ☆Guiding of Model :

## MY - 10S - 2P - 220V

①      ②      ③      ④

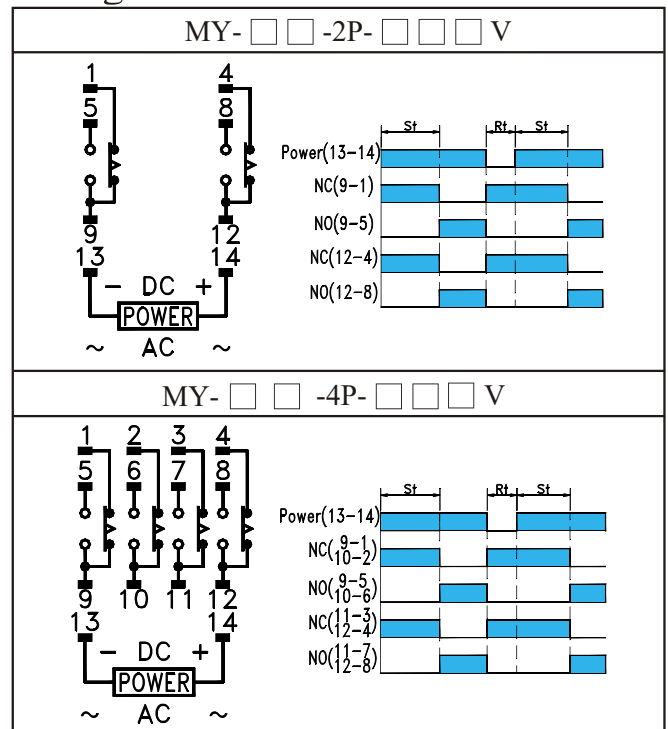
- ① : Series
- ② : Range
- ③ : Contact Poles
- ④ : Operating Voltage



### Specification

MODEL	MY- □□ - □ P- □□□ V
Range	1S/3S/6S/10S/30S 60S/3M/6M/10M/30M 60M/3H/6H/10H/30H
Power Supply	12 or 24 VDC 10V $\alpha$ 220VAC 50/60Hz
Wattage Consump.	3VA max.
Control Output	Relay
Contact Rated	7A/250VAC
Repetivity	0.2% of F.S max.
Setting Accuracy	5% of F.S max.
Reset Time	0.1S max.
Insulation Strength	100M $\Omega$ /500VDC
Dielectric Strength	2.5KV/1 min.
Circumstance	-20 $^{\circ}$ ~+60 $^{\circ}$ C, 35~85%RH
Life of Relay	20 X 10 <sup>6</sup> Times

### Wiring Chart Connection & Timing



### Dimension

